



Because it matters

Dealer's Stamp

| | | | | | |
|---|--|--|--|--|---|
| Headquarters BenQ Corporation 16 Jihu Road, Neihu, Taipei 114, Taiwan Tel : +886-2-2727-8899 Fax : +886-2-2656-2438 | Asia Pacific BenQ Asia Pacific Corp. 12 Jihu Road, Neihu, Taipei 114, Taiwan Tel : +886-2-2727-8899 Fax : +886-2-2656-2438 | China BenQ (IT) Co., Ltd. 181 Zhuyuan Road, Suzhou New District, Suzhou, China Tel : +86-512-6807-8800 Fax : +86-512-6809-7010 | North America BenQ America Corp. 3200 Park Center Drive, Suite 150 Costa Mesa, CA 92626 U.S.A Tel : +1-714-559-4900 Fax : +1-714-557-0200 | Europe BenQ Europe B.V. Meerenakkerweg 1-17, 5652 AR Eindhoven, The Netherlands Tel : +31 (0) 88-888-9200 Fax : +31 (0) 88-888-9299 | Latin and Central America BenQ Latin America Corp. 8200 N.W. 33 Street, Suite 301 Miami, FL 33122 U.S.A. Tel : +1-305-421 1200 Fax : +1-305-421 1201 |
|---|--|--|--|--|---|

© 2020 BenQ Corp. Specification may vary by region, please visit your local stores for details. Actual product's features and specifications are subject to change without notice. This material may include corporate names and trademarks of third parties which are the properties of the third parties respectively. Doc: PDP_CP6501K/CP8601K_JFP_EN_202004

BenQ DuoBoard

A Duo Creates Infinite Possibilities



Because it matters

DuoBoard Corporate Interactive Flat Panel

BenQ DuoBoard is designed to tap into the dynamic possibilities of the modern meeting room and help businesses develop and maintain an environment where ideas flow freely. It allows for extended, seamless team collaboration, stimulating more innovative ideas and is perfect for fostering collaboration then turning your creativities from abstract to real. BenQ DuoBoard is the beginning of infinite possibilities.



Maximize Team Efficiency with Collaboration+

A Duo Is Greater than the Sum of Its Parts



Duo Boards

Duo Boards combines two DuoBoards together, allowing users to seamlessly double the collaboration space and develop borderless ideas.



Duo Windows

Duo Windows allows users to work on two tasks at the same time on a single IFP, saving time and doubling efficiency.



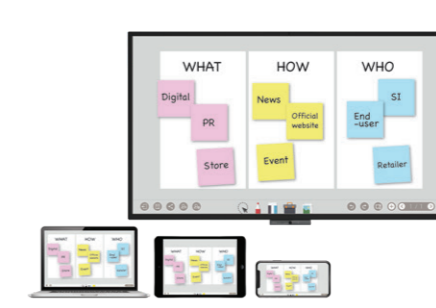
Duo OS

Duo OS achieves cross-platform compatibility between Android, iOS, macOS, and Windows OS. Insert the OPS into the DuoBoard for a quick switch between the Android and OPS applications, even in full screen size.



Duo Users

Duo Users allows multiple users to co-work simultaneously on a single app for specific topic discussion, fostering team collaboration.



Board to Board

EZWrite Cloud Whiteboard allows multiple users to use the IFP and their mobile devices or laptops in different locations, ensuring users have access to their important materials everywhere.



Portrait Mode

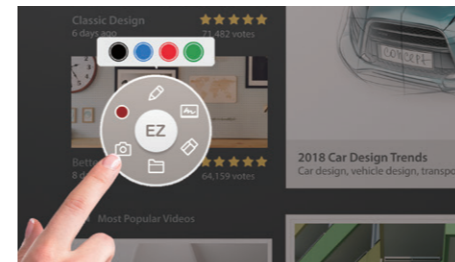
Easily rotate the DuoBoard to switch from Landscape to EZWrite Portrait mode. In Portrait mode, users can see more details of the vertical image and annotate on EZWrite vertically.
*Only CP6501K supported

Anywhere Annotation Using Your Own Device



Adjustable Screen Capture Regions and Easy Import

With EZWrite's Floating Tool, users can capture screen shots of anything on screen, regardless of the source, including content from apps, websites, and videos. They can then import this content into EZWrite for further discussion and annotation on a brand new page.



Step 1 - Press the Screen Shot button on the Floating Tool



Step 2 - Capture on-screen content directly on the IFP



Step 3 - Import to EZWrite and make annotations

Capacitive Touch Technology Direct Bonding

BenQ new DuoBoard Corporate IFPs' fine-tune handwriting experience is enhanced by incorporating the advanced P-cap (Projected Capacitive) touch technology. The P-cap touch enables accurate, precise touch responses on the screen for realistic handwriting. To facilitate team collaboration, it also supports multi-touch capability. In addition, the high-quality glass layer offers great resistance to light, dust, and water, enhancing overall durability.



Reduces the gap between the touch point and the point displayed on screen.



Creates more natural handwriting with a new touch frame that recognizes a smaller radius.



Reduces the pre-touch distance to offer better touch and writing experiences

Annotate and Collaborate Everywhere with the Cloud

Boasting powerful cloud features, EZWrite streamlines discussions by letting employees share notes and ideas whether they are in the office, at home, or on a business trip. With BenQ's exclusive AMS service, employees can save materials in the cloud and access them directly from the BenQ IFP, without need for a laptop or smart device.



Intelligent Handwriting Recognition

EZWrite's handwriting recognition feature allows users to instantly convert written text, numbers, forms, and drawings into easily legible digital text without having to switch modes.



Dual Pens for Simultaneous Collaboration

EZWrite comes with dual pens that allow two users to write or draw simultaneously with different colors, making it ideal for multiple presenters.

Floating Tool

EZWrite's built-in Floating Tool empowers employees to write on top of any app, video, website, document, or image. Whether using Windows, Mac, Chrome, or Android™, users can take notes on top of any on-screen content and save them for later use. Screen capture lets users capture all of the screen or just a part that they select with their fingers.

InstaShare Wireless Solution for Seamless Collaboration



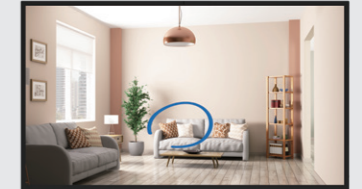
4 Split Screens and the Central Control for a Smooth Meeting

InstaShare accommodates 4 attendee screens at once with synchronized discussions. To manage the meeting, InstaShare has a centrally-controlled system which regulates the attendees and mirrored content so that meetings can go on smoothly.



Two-Way Mirroring

Intended to enhance collaboration in business meetings, InstaShare runs two-way mirroring between IFP and mobile devices without the need for video cables, no matter it's in-room or remote spaces and the IFP will always have control of itself.



Two-Way Touch Control

InstaShare also supports two-way touch control, which means both IFP and client device can control or interact with what is being mirrored. Annotation is another key InstaShare provides when running Two-Way Touch Control.

Foster a Powerful Collaborative Environment

BenQ IFP ensures businesses can embrace innovation without compromising employee health thanks to smart features that monitor air quality, protect eye health, and reduce the transmission of germs.



Air-Quality Sensor

Poor indoor air quality can decrease efficiency and reduce alertness. BenQ Interactive Flat Panel incorporate an air-quality sensor that monitors CO2 levels and reminds users to adopt measures that can keep CO2 concentrations in check. This handy feature can boost employee focus and ensure that meetings are always efficient and impactful.

Smart Eye-Care Solution

BenQ's Smart Eye-Care Solution uses the Interactive Flat Panel's motion sensor to automatically adjust display settings according to the user's distance from the screen. For a smooth and comfortable viewing experience, BenQ IFPs can automatically activate Flicker-Free and Low Blue Light features as necessary.



Flicker-Free



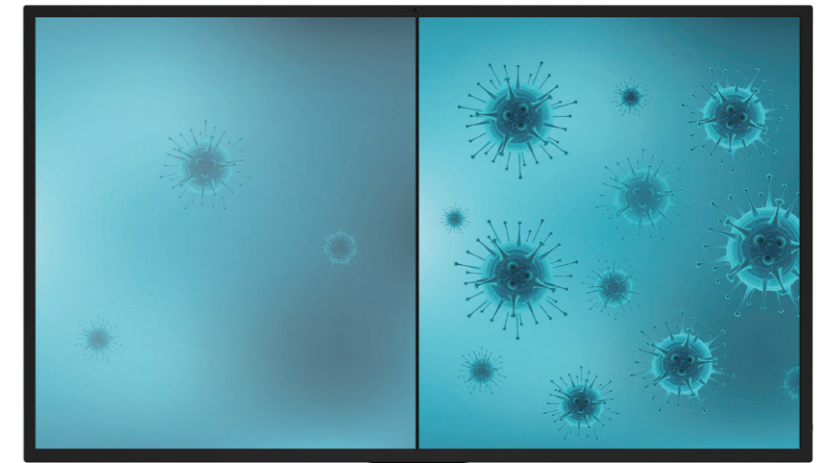
Low Blue Light



Anti-Glare

Germ-Resistant Screen

The Germ-Resistant Screen is empowered by a multilayer coating of the non-toxic, enduring nano ionic silver agent that kills most germs accumulating on screen surfaces and prevent cross-infection or epidemic in classrooms. The ionic silver's antimicrobial feature remains effective even after thorough cleaning or long periods of use.



with ionic silver coating

without ionic silver coating

TUV Test Confirmed

TUV is the world's leading inspection and Verification Company, providing internationally approved testing services to verify product quality and performance. Placing our trust in TUV's best-in-class facilities and world-recognized integrity, we had their experts carefully evaluate the screen's antimicrobial efficacy. Proved by the JIS Z 2801:2010 testing methods, the result shows that BenQ's Germ-Resistant Screen can effectively restrain the growth of Escherichia coli, Staphylococcus aureus and Pseudomonas aeruginosa. To maintain antimicrobial efficacy, please frequently wipe your touch screen with a clean, soft, lint-free cloth moistened with a neutral detergent.

All-in-One Meeting Solutions



Start Meetings Quickly with BenQ Launcher

DuoBoard makes it easy for users to launch meetings without delay. Created to aggregate all key tools in one hub, BenQ Launcher allows employees to access video input sources or use the EZWrite whiteboard without having to log into their accounts. Additionally, BenQ Launcher comes with a task switcher, letting users switch between recent apps and input signal sources with just a simple touch.



Account Management System for Personalized Workspace

DuoBoard supports multi-account management through NFC technology, which allows users directly access and manage their personal system-setting, network drive and cloud storage space such as Google drive and Dropbox, by simply scanning BenQ designed NFC cards without having to enter password.



Video Conferences Anytime, Anywhere

DuoBoard is pre-loaded with useful business apps such as Blizz by TeamViewer, a powerful cloud meeting service that unifies video conferencing, simple online meetings, group messaging, and discussion management. With a one-click-to-start interface, you can easily host a high-quality audiovisual group meeting by connecting various devices. The embedded camera and array mic enhance meeting efficiency, boosting productivity.



Hands-Free Control over the IFP with Voice Assistant

BenQ Interactive Flat Panel offers an extra level of flexibility for device control through Voice Assistant. Voice Assistant lets users control the flow of meetings by allowing them to start timers or search the internet from anywhere in the room. Users can easily control the IFP via remote control, further ensuring efficient meetings and effortless collaboration.

*This feature will be ready by the end of Q3, 2020

Hassle-Free Display Management and Security

With cloud features, BenQ DMS combined Device Info and Management, Apps Management and OTA (Over-the-Air) Update to provide you an ultimate device management solution for your productivity.



More Feature

DMS Local

DMS Local is a Device Info and Management software based on windows OS. For users who would like to control your displays remotely via LAN, you can download DMS Local software for your operation.

MDA (Multiple Display Administrator)

For users who would like to control your displays remotely via RS232, you can download MDA software for your operation.

McAfee Embedded for Maximum Security

BenQ Interactive Flat Panels are embedded with McAfee for maximum security. McAfee offers device security with Real-time protection, Deep Scan, WebBrowsing Security, and Wi-Fi Security functions. To ensure data security, McAfee provides Privacy Check, APP Access Protection, and Hidden APPs features.



Device Info and Management

Remotely control your displays with DMS Cloud via Internet. It's an effective way to lower TCO and energy consumption for your operation.



Apps Management

Install Android™ apps for a selection of displays through our cloud server. DMS Cloud is designed to save you the hassles of repetitive manual installation work.



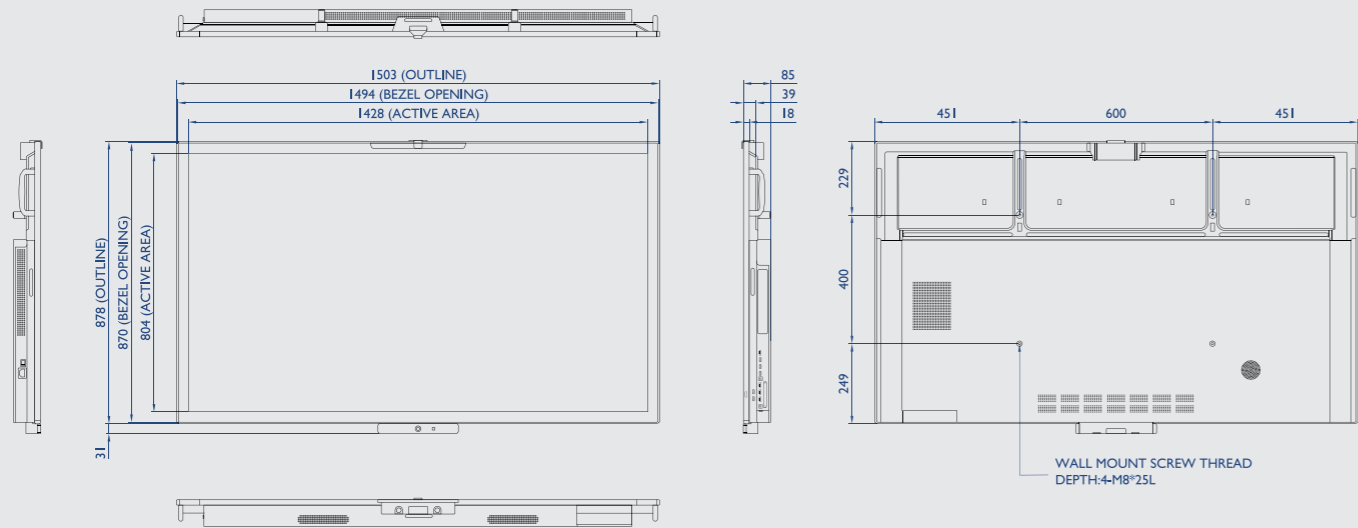
OTA (Over-the-Air) Update

Upgrade the latest BenQ firmware for your displays through our OTA Update support and keep them running smoothly at all times.

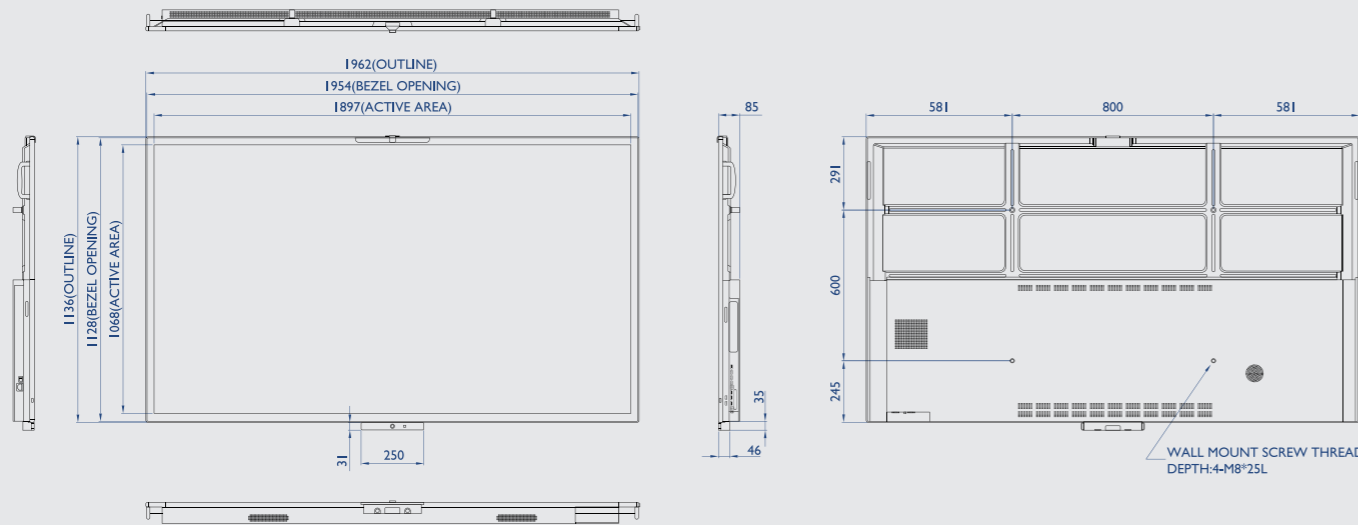
| Model | CP6501K | CP8601K |
|--|---|---|
| Panel | | |
| Screen Size | 65" | 86" |
| Backlight / Lightsource | DLED | DLED |
| Resolution (Pixel) | UHD 3840 x 2160 pixels | UHD 3840 x 2160 pixels |
| Brightness (Typical) | 320nits | 350nits |
| Contrast Ratio (Typical) | 5,000:1 | 1,200:1 |
| View Angle (Horizontal / Vertical) | 178°/178° | 178°/178° |
| Response Time (ms) | 8ms | 8ms |
| Color Gamut (x% NTSC) | 68% | 68% |
| Light Life (Typical) | 30,000 hours | 30,000 hours |
| Display Orientation | Landscape / Portrait | Landscape |
| Glass | | |
| Tempered Glass | 3mm Tempered Glass | 3mm Tempered Glass |
| Anti-Glare & Germ-Resistant Screen | AG75 | AG75 |
| Touch | | |
| Touch Technology | P-CAP | P-CAP |
| Numbers of Touch / Resolution | Up to 20 points Multi-touch | Up to 20 points Multi-touch |
| Touch interface | USB B Touch Port x2 | USB B Touch Port x2 |
| Connectivity & Sensor | | |
| Connector | VGA x1, HDMI 2.0 x3, HDMI Out x1, 3.5mm Audio Line in/Mic in x1, 3.5mm Audio Line out x1, SPDIF Audio out x1, USB 2.0 x4, USB 3.0 x3, USB B Touch Port x2, RS232 x1, RJ45 x1, OPS Slot x1 | VGA x1, HDMI 2.0 x3, HDMI Out x1, 3.5mm Audio Line in/Mic in x1, 3.5mm Audio Line out x1, SPDIF Audio out x1, USB 2.0 x4, USB 3.0 x3, USB B Touch Port x2, RS232 x1, RJ45 x1, OPS Slot x1 |
| Built-in Camera | FHD Camera x1 | FHD Camera x1 |
| Built-in Microphone | Array Microphone x6 | Array Microphone x6 |
| Built-in speaker | Speaker 10W x2 & Subwoofer 16W x1 (HiFi 2.1) | Speaker 10W x2 & Subwoofer 16W x1 (HiFi 2.1) |
| Sensor | NFC Sensor x1, Motion Sensor x1, Air Quality Sensor x1, Light Sensor x1, IR sensor x1 | NFC Sensor x1, Motion Sensor x1, Air Quality Sensor x1, Light Sensor x1, IR sensor x1 |
| Power | | |
| Voltage | AC 100-240V~ 50/60Hz | AC 100-240V~ 50/60Hz |
| Typical (Watt) | 210W | 350W |
| Mechanical | | |
| Weight (Without / With Packing) (kg) | 43.2/ 58.5 kg | 71.5 / 97.9 kg |
| Dimension (WxHxD) (mm) | 1503x909x85 | 1962x1167x85 |
| Wall Mounting (VESA) (mm) | 4 holes (600 x 400mm) Screw M8 x25mm | 4 holes (800 x 600mm) Screw M8 x25mm |
| Handle | x2 | x2 |
| OSD | | |
| On-Screen Display Languages | English / French / German / Dutch / Polish / Russian / Czech / Danish / Swedish / Italian / Romanian / Finnish / Norwegian / Greek / Hungarian / Spanish / Portuguese / Traditional Chinese / Simplified Chinese / Arabic / Japanese / Thai / Persian / Vietnamese / Korea / Turkey / Indonesia (27L) | English / French / German / Dutch / Polish / Russian / Czech / Danish / Swedish / Italian / Romanian / Finnish / Norwegian / Greek / Hungarian / Spanish / Portuguese / Traditional Chinese / Simplified Chinese / Arabic / Japanese / Thai / Persian / Vietnamese / Korea / Turkey / Indonesia (27L) |
| Package / Accessory | | |
| Remote Controller (with 2.4G dongle & Battery) | x1 | x1 |
| Power Cord | By Region | By Region |
| Cable | VGA(5m) x1, HDMI(1.5m) x1, USB for touch (3m) x1 | VGA(5m) x1, HDMI(1.5m) x1, USB for touch (3m) x1 |
| Quick Start Guide | x1 | x1 |
| User's Manual Electronic File | x1 | x1 |
| Touch Pen | x2 | x2 |
| Wall Mount | x1 | x1 |
| Optional | | |
| Optional Accessory | InstaShow, WiFi Dongle, OPS, Trolley | InstaShow, WiFi Dongle, OPS, Trolley |

Dimension (mm)

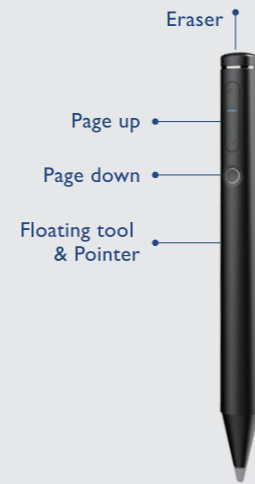
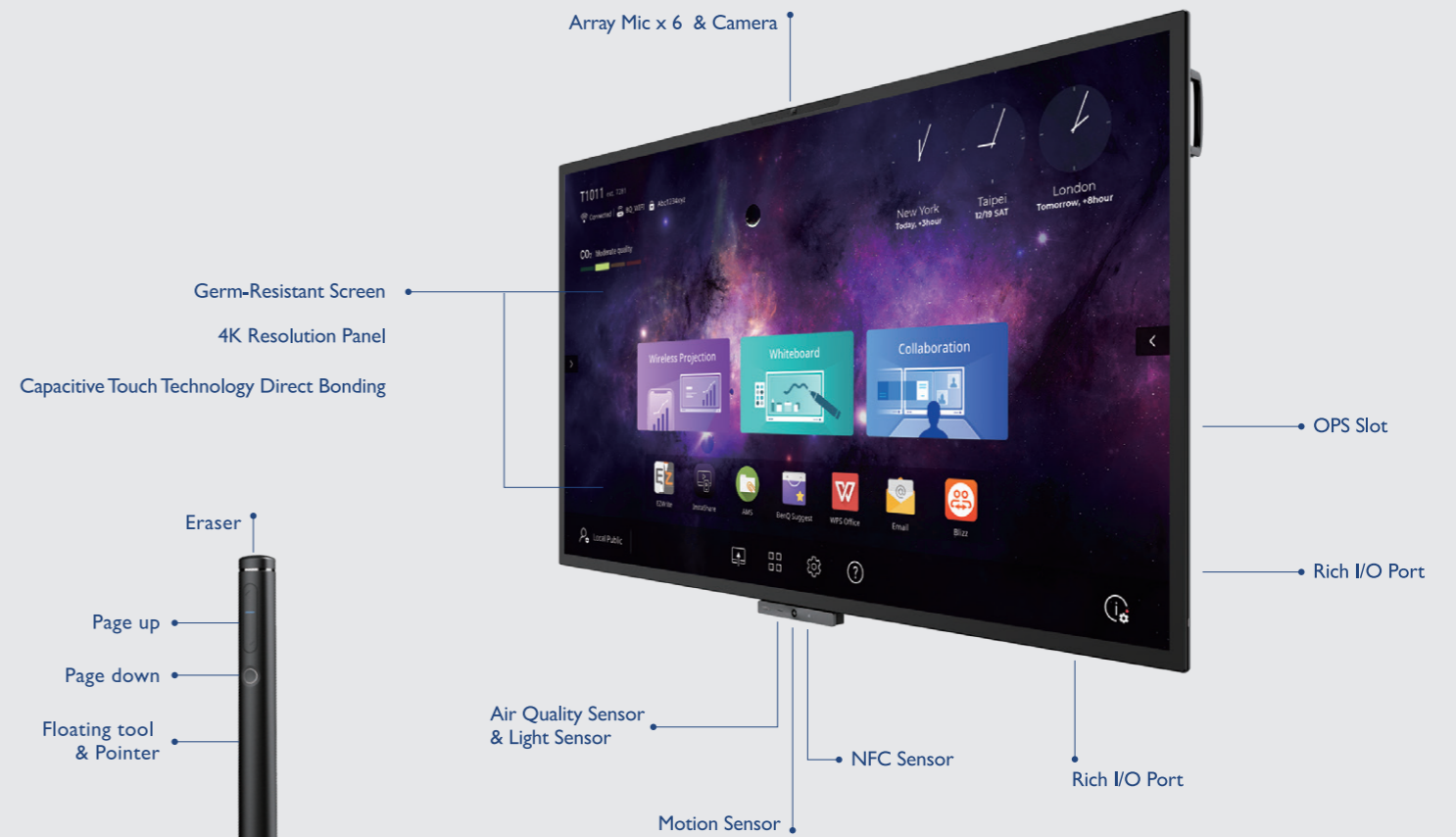
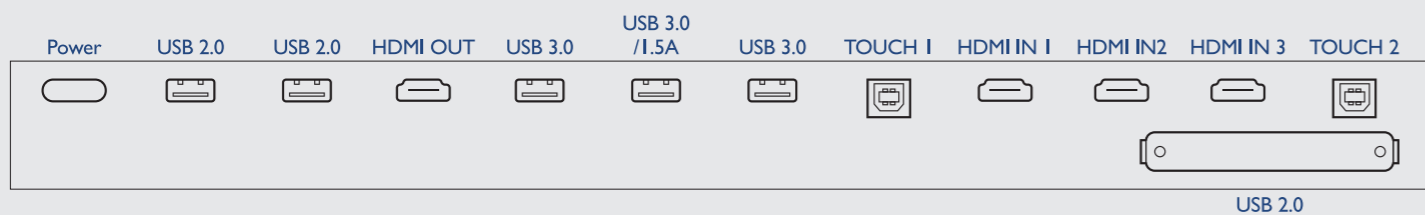
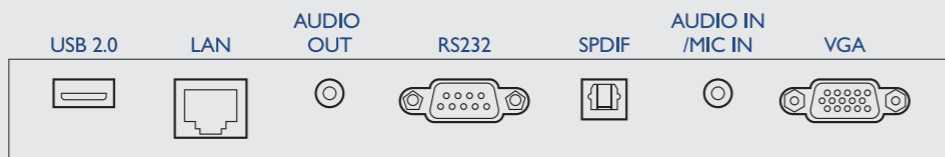
CP6501K



CP8601K



Input/output terminals



- a Microphone.
- b Turn the display on or off.
- c Press to open SwitchQ, a task switcher to switch between recent apps and input sources.
- d Direction key. Press for upward selection.
- e Direction key. Press for left selection.
- f Press to proceed.
- g Android system main screen button.
- h Volume up/down.
- i Pointer key. Press to activate the spotlight pointer function and following the instruction on the screen.
- j Press to open or close the OSD menu.
- k Direction key. Press for right selection.
- l Direction key. Press for downward selection.
- m Return key.
- n Voice command key. Press to activate Saffi (BenQ Voice Assistant), hold the button for two seconds, then say the command you can use. Release the button until you finish the command.
- o Freeze screen.
- p One key for blank screen.